



Switch  
disconnecter with  
fuse  
GM

Product designation

Product type designation

Type of fuse

Number of poles

Operating voltage type

nr. 3  
AC

**Electrical features**

Conventional free air thermal current I <sub>th</sub>	A	100
Rated insulation voltage U <sub>i</sub>	V	1000
Rated impulse withstand voltage U <sub>imp</sub>	kV	12
Operating current		

AC21A 400V	A	160
AC21A 500V	A	160
AC21A 690V	A	160
AC22A 400V	A	160
AC22A 500V	A	160
AC22A 690V	A	160
AC23A 400V	A	160
AC23A 500V	A	160
AC23A 690V	A	160

Power dissipation per pole max	W	9
Power dissipation per pole without fuse	W	9
Max fuse power dissipation		
	in open air	W 12
	in enclosure	W 12

Rated operational power AC23A	400V	kW	75
	690V	kW	132

Rated short time current (1s) I <sub>cw</sub> (rms)	A	5000
Short circuit protection with fuse		J/100
Making capacity AC23A 400V	A	1600
Breaking capacity AC23A 400V	A	1280

**Operations**

Mechanical life	Cycles	8000
Electrical life AC21A	Cycles	6000

**Ambient conditions**

Operating temperature	min	°C	-25
	max	°C	55

Storage temperature	min	°C	-40
	max	°C	70

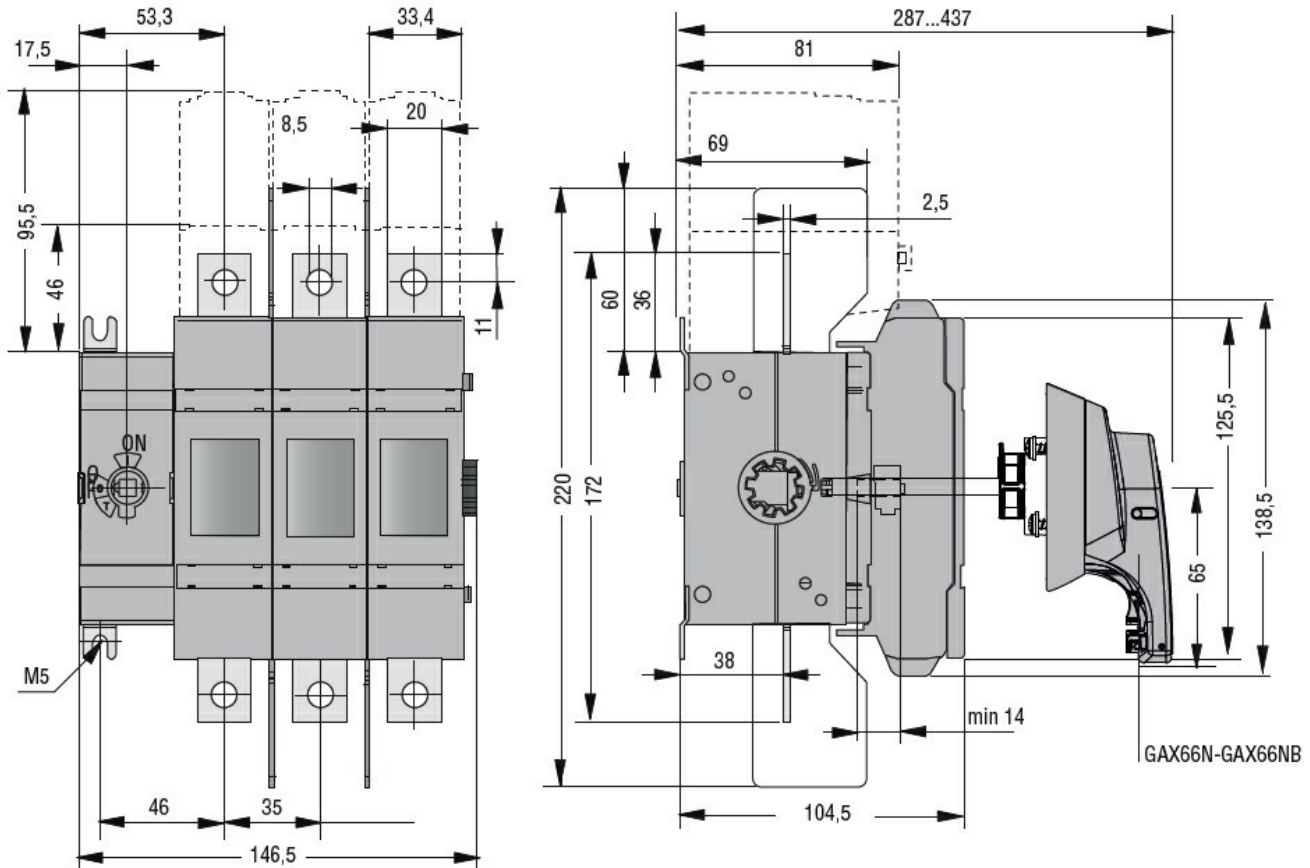
Max altitude	m	3000
--------------	---	------

**Mechanical features**

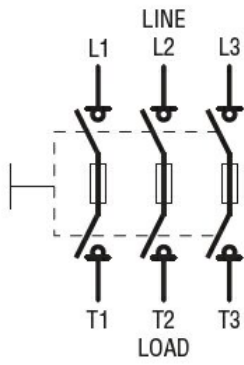
Operating position

	normal allowable	Vertical plan Any
Mounting		Screw
Terminals	type	Bar
Tightening torque for terminals	max Nm max lbft	13.5 10
Tightening torque for fuse links bolts	Nm	4
Tightening torque for terminal lug	Nm	5.5
Terminal kit lugs		GMX500
Weight	g	1815.
Frontal IP degree		IP20
Pollution degree		3
<b>UL technical data</b>		
Compliance		UL98
General purpose current rating	A	100
Operating voltage max	V	600
Horsepower/FLA current three phase motor	240V 480V 600V	30/80 60/77 75/77
Short circuit rating	kA	200
Short circuit rating with fuse		J/100

**Dimensions**



**Wiring diagrams**



**Certifications and compliance**

**Compliance**

IEC/EN 60947-1

IEC/EN 60947-3

**Certifications**

cULus according to UL98/CSA C22.2 n°4